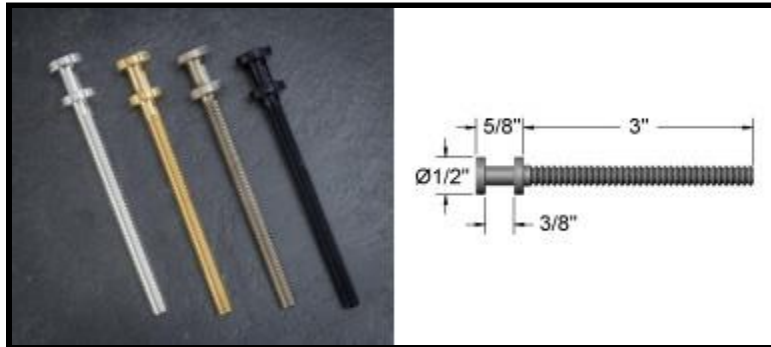


## Wall Stud

2" long wall stud with 1/4" - 20 threads.

- #600 - Aluminum
- #700 - Brass
- #800 - Stainless Steel



## Long Wall Stud

3 5/8" long wall stud with 1/4" - 20 threads.

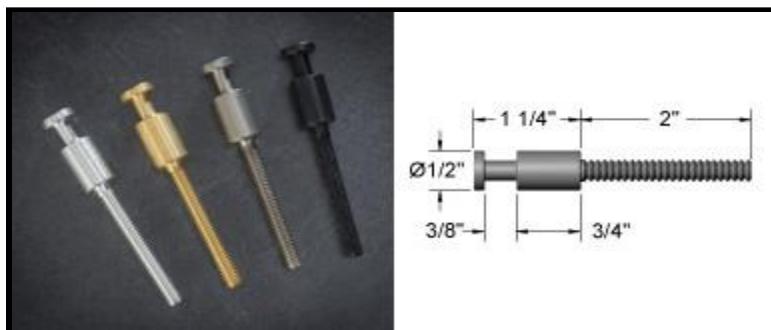
- #630 - Aluminum
- #730 - Brass
- #830 - Stainless Steel
- #1630 - Black (Discontinued)



## Extender Collar

Extends wall stud shoulder to accommodate raised wall panels. Fits 1/4" - 20 threads. Use with Wall Stud or Long Wall Stud.

- #605 - Aluminum
- #705 - Brass
- #805 - Stainless Steel
- #1605 - Black (Discontinued)



## Extended Wall Stud

3 1/4" long wall stud with 1/4" - 20 threads.

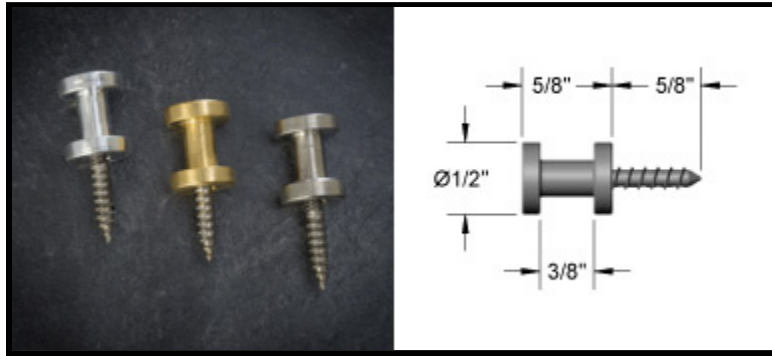
- #675 - Aluminum
- #680 - Brass
- #690 - Stainless Steel
- #1675 - Black (Discontinued)



## Adaptive stud

#970 - Permanent and self-adhering used to hang elevator pads from glass, metal, and most sealed wood and composite surfaces. 5/8" long stainless steel stud with 2" circular base plate. Eliminate the need for stud holes by using a high-strength bonding tape.

## Elevator Pad Studs



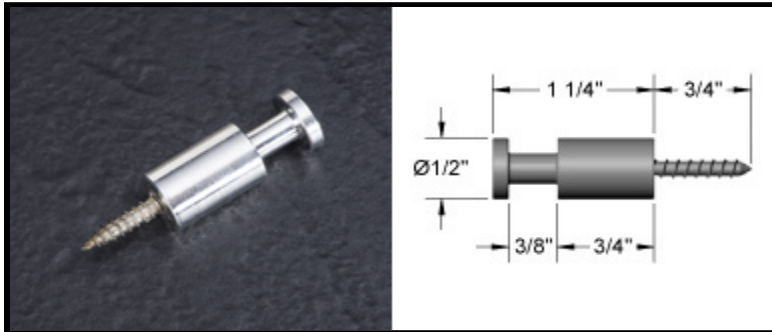
### Self-Tapping Stud

Self-tapping screw for cabs without stud holes.

**#925** - Aluminum

**#950** - Brass

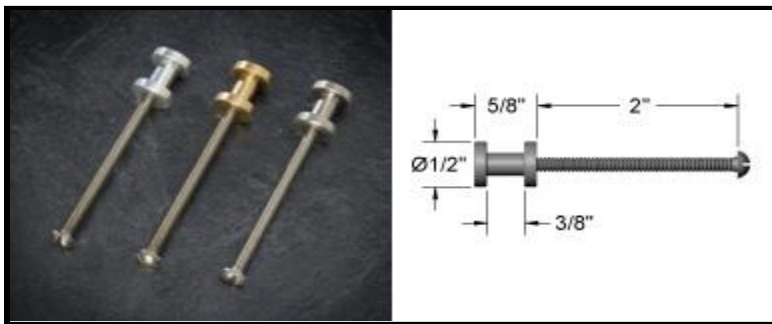
**#900** - Stainless Steel



### Extended Self-Tapping Stud

Self-tapping screw for cabs without stud holes. Extended stud shoulder to accommodate raised wall panels.

**#965** - Aluminum



### Machine Screw Stud

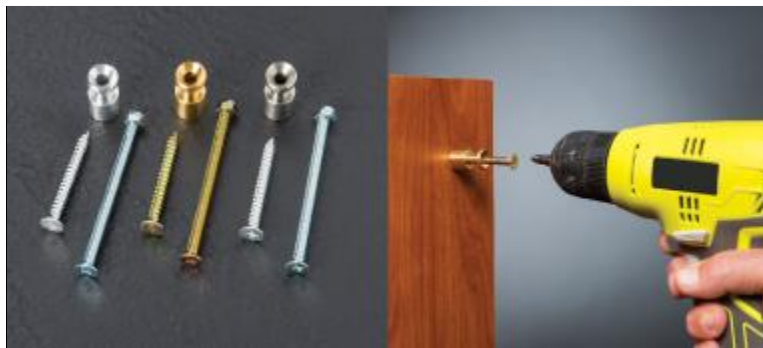
Two piece wall stud with 2" x 8-32 machine screw and 5/8" stud.

**#920** - Aluminum

**#930** - Brass

**#910** - Stainless Steel

## Thru-Bolt Studs



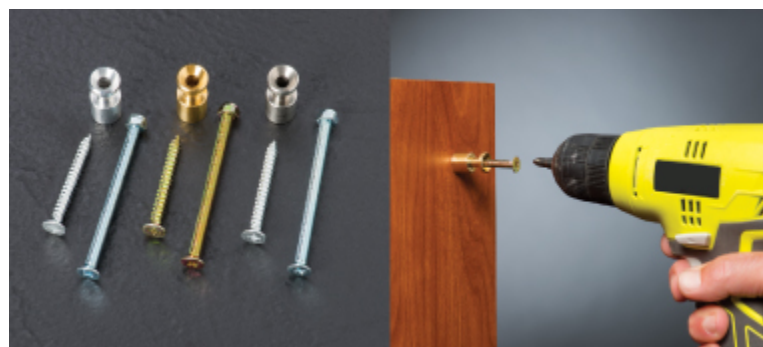
### Thru-Bolt Studs

Quickly install with a Phillips-head screwdriver or power drill. Each set contains a Thru-Bolt Stud, a M5 x 50 mm machine screw, a M5 lock nut, and a M5 x 31 mm wood screw. *Sold in packs of 5.*

**#980-AL** - Aluminum

**#980-SS** - Stainless Steel

**#980-BR** - Brass



### Extended Thru-Bolt Studs

Quickly install with a Phillips-head screwdriver or power drill. Each set contains an Extended Thru-Bolt Stud, a M5 x 70 mm machine screw, a M5 lock nut, and a M5 x 45 mm wood screw. *Sold in packs of 5.*

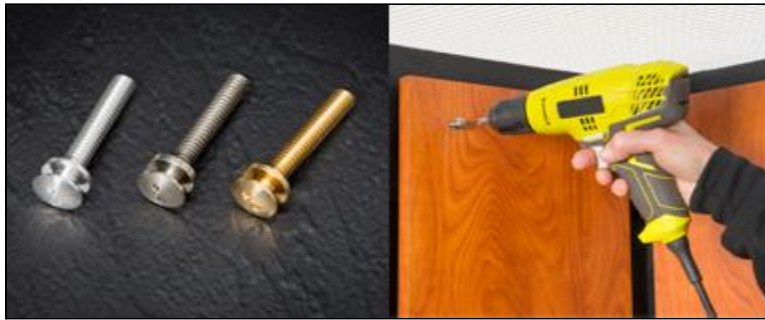
**#985-AL** - Aluminum

**#985-SS** - Stainless Steel

**#985-BR** - Brass

## Low Profile Studs

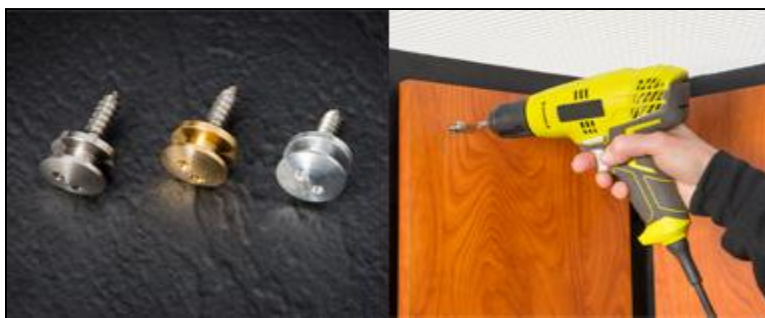
Extending less than 3/8" off the cab wall, low profile studs are smaller and less obtrusive than standard elevator pad studs and the sleek design works seamlessly with our elevator pads. Low profile Spanner Studs can be installed using a matching tamper-proof spanner bit reducing the chances of unauthorized removal.



### Low-Profile Wall Stud

Low-profile 3/8" spanner wall stud with 1/4" - 20 threads.

- #990-AL - Aluminum
- #990-BR - Brass
- #990-SS - Stainless Steel



### Low-Profile Self-Tapping Stud

Low-profile 3/8" spanner stud with #8 self-tapping screw for cabs without stud holes.

- #991-AL - Aluminum
- #991-BR - Brass
- #991-SS - Stainless Steel



### Low-Profile Spanner Bit

#992 - #10 spanner bit used to install low profile Spanner Studs. The spanner bit is 1/4" hex insert bit.

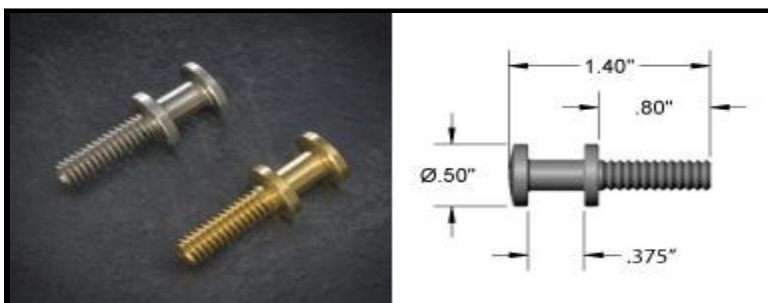
## Cab Manufacturer Studs



### Short Cab Manufacturer Stud

1.00" long cab manufacturer stud.

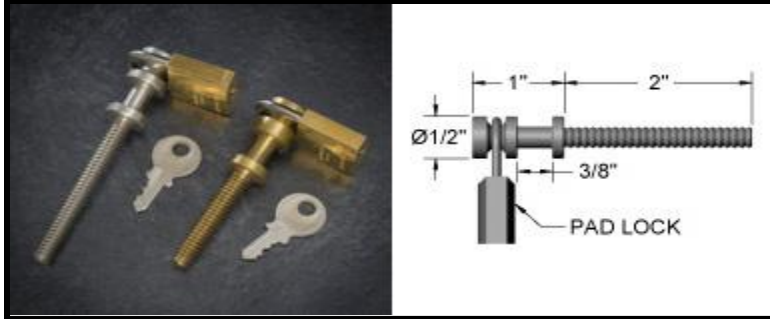
- #SH08 - Aluminum
- #SH06 - Brass (Discontinued)
- #SH05 - Stainless Steel
- #SH010 - Black



### Long Cab Manufacturer Stud

1.40" long cab manufacturer stud.

- #SH04 - Brass
- #SH03 - Stainless Steel

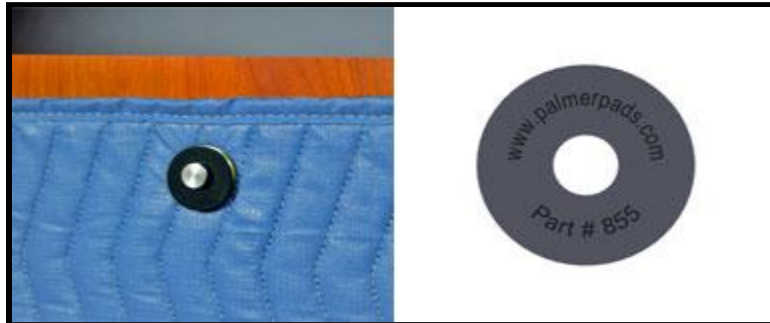


## Stud with Padlock

3" wall stud with 1/4" - 20 threads. Brass padlock securely locks pads to the wall.

#775 - Brass Stud with Lock

#875 - Stainless Steel Stud with Lock



## Retaining Ring

Flexible rubber retaining ring slips over stud head and securely holds pads in place.