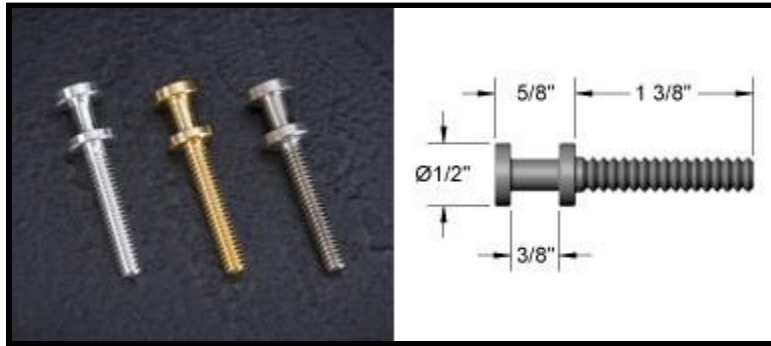


Studs

Elevator Pad Studs



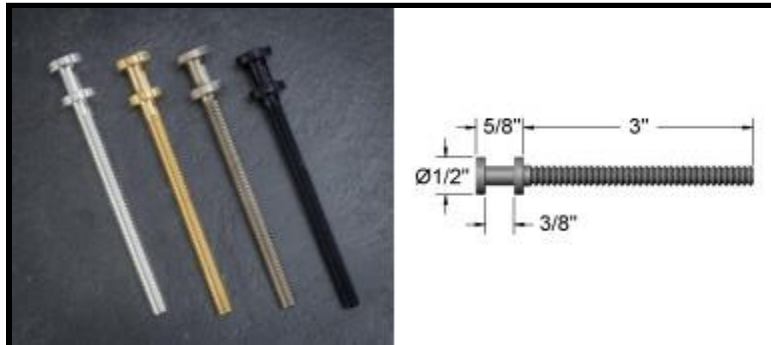
Wall Stud

2" long wall stud with 1/4" - 20 threads.

#600 - Aluminum

#700 - Brass

#800 - Stainless Steel



Long Wall Stud

3 5/8" long wall stud with 1/4" - 20 threads.

#630 - Aluminum

#730 - Brass

#830 - Stainless Steel

#1630 - *Black (Discontinued)*



Extender Collar

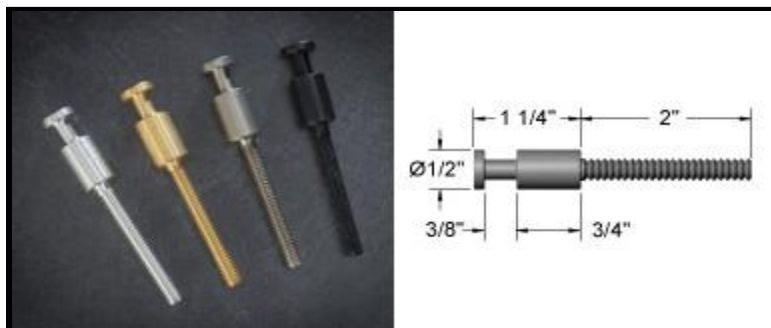
Extends wall stud shoulder to accommodate raised wall panels. Fits 1/4" - 20 threads. Use with Wall Stud or Long Wall Stud.

#605 - Aluminum

#705 - Brass

#805 - Stainless Steel

#1605 - *Black (Discontinued)*



Extended Wall Stud

3 1/4" long wall stud with 1/4" - 20 threads.

#675 - Aluminum

#680 - Brass

#690 - Stainless Steel

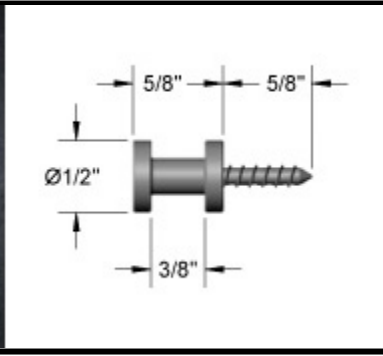
#1675 - *Black (Discontinued)*



Adaptive stud

#970 - Permanent and self-adhering used to hang elevator pads from glass, metal, and most sealed wood and composite surfaces. 5/8" long stainless steel stud with 2" circular base plate. Eliminate the need for stud holes by using a high-strength bonding tape.

Elevator Pad Studs



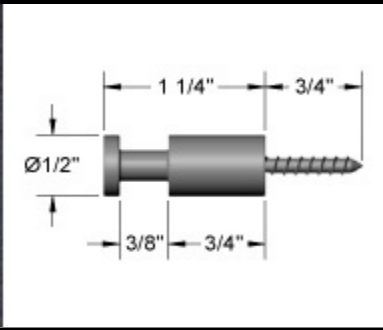
Self-Tapping Stud

#8 self-tapping screw for cabs without stud holes.

#925 - Aluminum

#950 - Brass

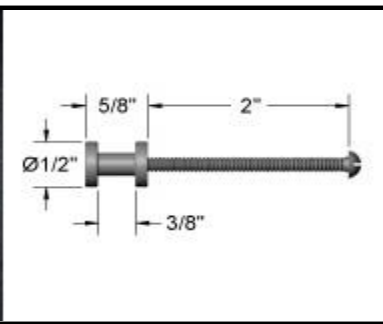
#900 - Stainless Steel



Extended Self-Tapping Stud

#8 self-tapping screw for cabs without stud holes. Extended stud shoulder to accommodate raised wall panels.

#965 - Aluminum



Machine Screw Stud

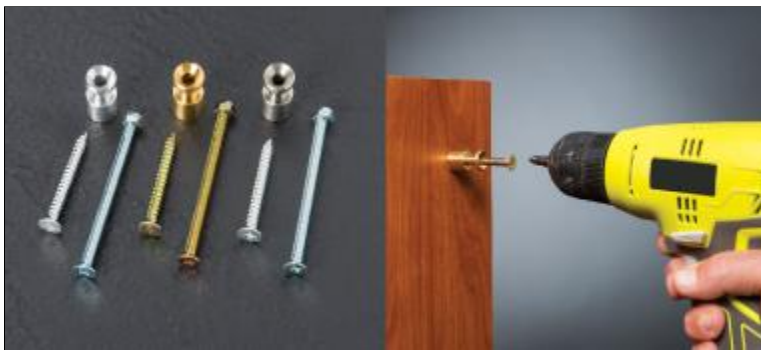
Two piece wall stud with 2" x 8-32 machine screw and 5/8" stud.

#920 - Aluminum

#930 - Brass

#910 - Stainless Steel

Thru-Bolt Studs



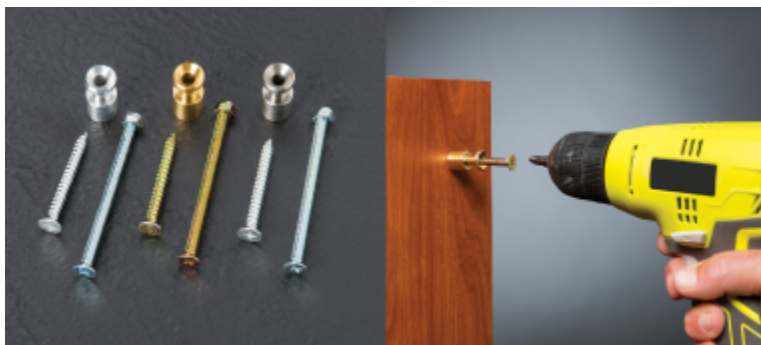
Thru-Bolt Studs

Quickly install Thru-Bolt Studs with a Phillips-head screwdriver or power drill. Each set contains a Thru-Bolt Stud, a M5 x 50 mm machine screw, a M5 locknut, and a M5 x 31 mm wood screw. *Sold in packs of 5.*

#980-AL - Aluminum

#980-SS - Stainless Steel

#980-BR - Brass



Extended Thru-Bolt Studs

Quickly install Extended Thru-Bolt Studs with a Phillips-head screwdriver or power drill. Each set contains an Extended Thru-Bolt Stud, a M5 x 70 mm machine screw, a M5 lock nut, and a M5 x 45 mm wood screw. *Sold in packs of 5.*

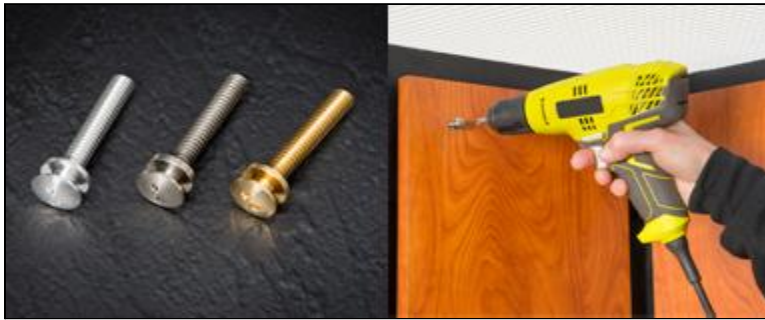
#985-AL - Aluminum

#985-SS - Stainless Steel

#985-BR - Brass

Low Profile Studs

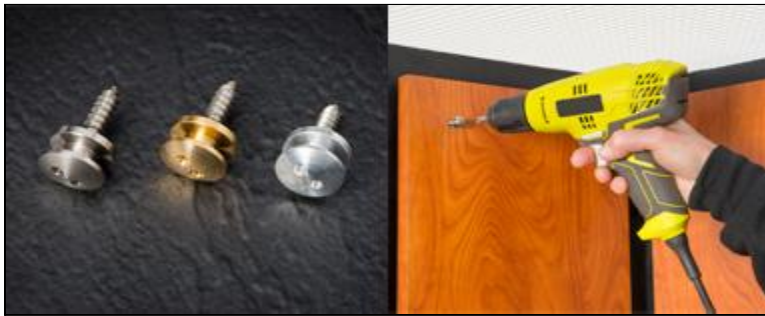
Extending less than 3/8" off the cab wall, Palmer Low-Profile Studs are smaller and less obtrusive than standard elevator pad studs and the sleek design works seamlessly with Palmer StudStrip® elevator pads. Palmer Low-Profile Spanner Studs can be installed using a matching tamper-proof spanner bit reducing the chances of unauthorized removal.



Low-Profile Wall Stud

Low-profile 3/8" spanner wall stud with 1/4" - 20 threads.

- #990-AL - Aluminum
- #990-BR - Brass
- #990-SS - Stainless Steel



Low-Profile Self-Tapping Stud

Low-profile 3/8" spanner stud with #8 self-tapping screw for cabs without stud holes.

- #991-AL - Aluminum
- #991-BR - Brass
- #991-SS - Stainless Steel



Low-Profile Spanner Bit

#992 - #10 spanner bit used to install Palmer Low-Profile Spanner Studs. The spanner bit is 1/4" hex insert bit.

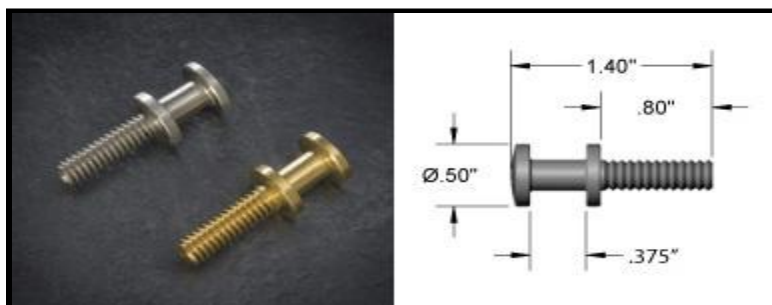
Cab Manufacturer Studs



Short Cab Manufacturer Stud

1.00" long cab manufacturer stud.

- #SH08 - Aluminum
- #SH06 - Brass (Discontinued)
- #SH05 - Stainless Steel
- #SH010 - Black

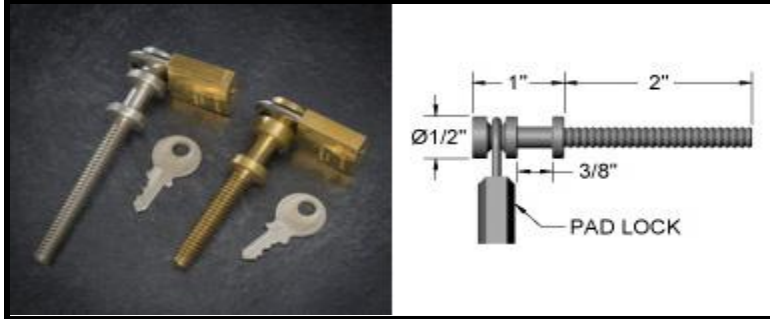


Long Cab Manufacturer Stud

1.40" long cab manufacturer stud.

- #SH04 - Brass
- #SH03 - Stainless Steel

Stud Locks & Retaining Rings

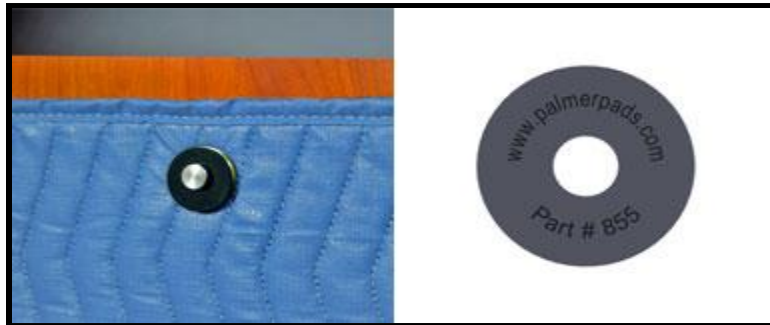


Stud with Pad Lock

3" wall stud with 1/4" - 20 threads. Brass padlock securely locks pads to the wall.

#775 - Brass Stud with Lock

#875 - Stainless Steel Stud with Lock



Retaining Ring

Flexible rubber retaining ring slips over stud head and securely holds pads in place.